

LIVING LANDSCAPE 750. Design: EOOS.



Living Landscape 750 is a range of sofas that incorporates the room it stands in. Just a light touch of the hand turns the corner segments and the chaises longues to face a new direction. The result is a new perspective, a new sofa. The calm, spacious shape, the excellent seating comfort and the top quality design remain. Integrated solid wood shelves, tables and footstools complete the range.

Product description

Modell no.

750

Frame/Base

Frame: wooden construction with spring core.
Base: beech painted RAL 9005 deep black.
Seat height 40 cm is available against surcharge.

Armchair: Seat height 43 cm is available for surcharge.

Upholstered seats: with castors. Castors are suitable for soft and hardfloors. Brake loaded Castors activate when seated. Optionally with castors and base skirting in beech painted RAL 9005 deep black (for surcharge).

Footstool: Teflon glides for stone and carpet floors, felt glides for wooden floors.

Upholstery

750 elements and armchair:

Loose seat and back cushions, seat cushions fixed with velcro.

Back cushions: ticking sewn into chambers with down filling and cold cure core.

Seat cushions:

Version 1: ticking sewn into chambers with down filling and cold cure core (casual look).

Version 2: ticking sewn into chambers with down filling and cold cure core sandwich construction (formal look).

For adjusting seating comfort and seating depth individually we recommend the matching comfort cushion 750-CK3.

The back cushion 750-RK1 is also available with bolster (for surcharge).

750 Upholstered seats 750-H2/ -H3:

Ticking sewn into chambers with down filling and cold cure core.

750 Upholstered seat 750-H1:

Cold cure foam in sandwich construction with an outer layer of wadding.

Integrated shelves

Solid wooden shelves can be integrated either in the back or in the armrest (for surcharge). Shelves are available in american nutwood (.96w) oak painted black (.11w) or oak stained wengé (.18w).

Please note: shelves can be integrated either in the back or in the armrest!

Please specify when ordering:

- RÜ for shelf in the back

- AL for shelf in the armrest

Corner elements 750-E L/R and 750-EF L/R: integration of shelves only in the back.

WALTER KNOLL

LIVING LANDSCAPE 750.

Function

End and corner elements can be turned 90°.

L stands for attached left and turn anti-clockwise.

R stands for attached right and turn clockwise.

The direction of rotation can be changed on request.

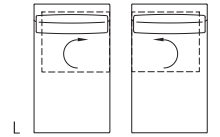
End elements (except récamières) and corner elements with rotation function are equipped with a manually adjustable locking mechanism. The elements are to be locked and unlocked by a trigger button integrated in the base.



End récamières can be turned 180°.

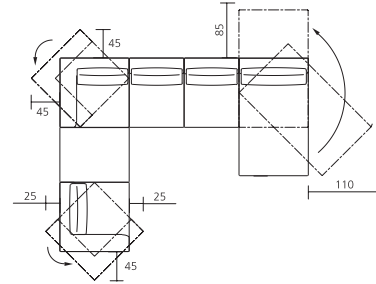
L or R stands for the attached side.

The integrated mechanism arrests while seating, it just swivels without weight.



Space requirements

All information in cm.



Occasional tables and cushions

Occasional tables:

Solid wood:

- americ. nutwood (.96w)
- oak stained wengé (.18w)
- oak painted black (.11w).

Teflon glides for stone or carpet floors, felt glides for wooden floors.

Cushions:

Back cushions: ticking sewn into chambers with down filling and cold cure core.

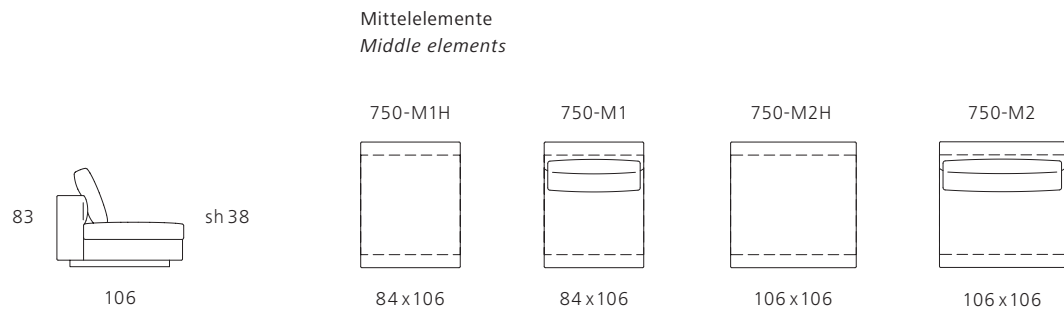
Comfort cushions: ticking sewn into chambers with fibre/down filling.

Notice

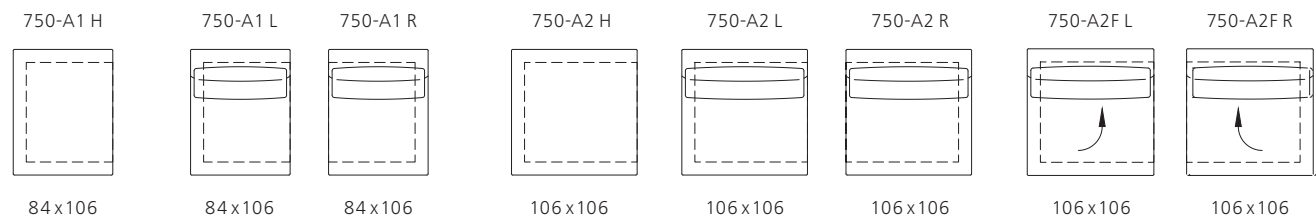
Fabric covers are removable, leather is upholstered permanently.

LIVING LANDSCAPE 750.

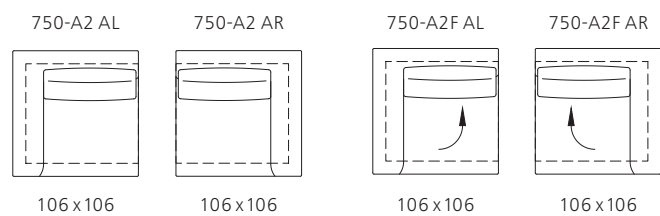
Technical drawings and dimensions



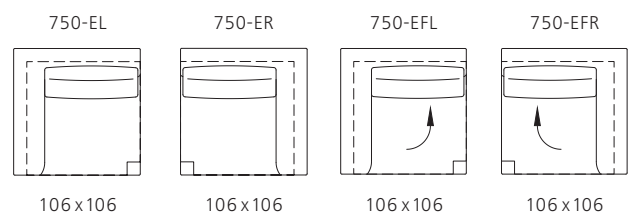
Abschlüsselemente *End elements*



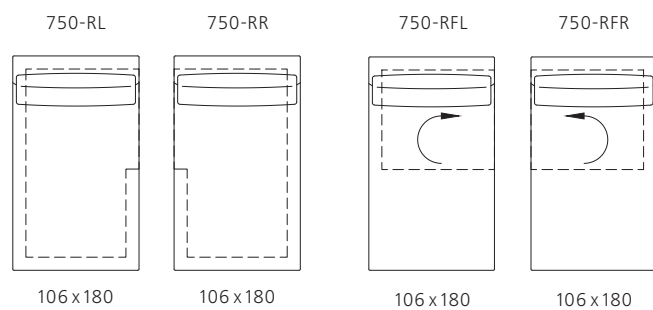
Abschlüsselemente mit Armlehne *End elements with armrest*



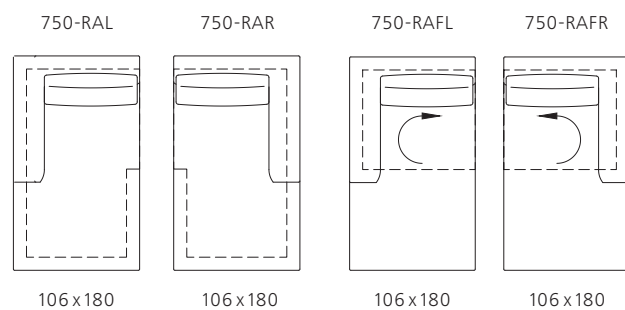
Eckelemente *Corner elements*



Abschlussrecamieren *End récamières*



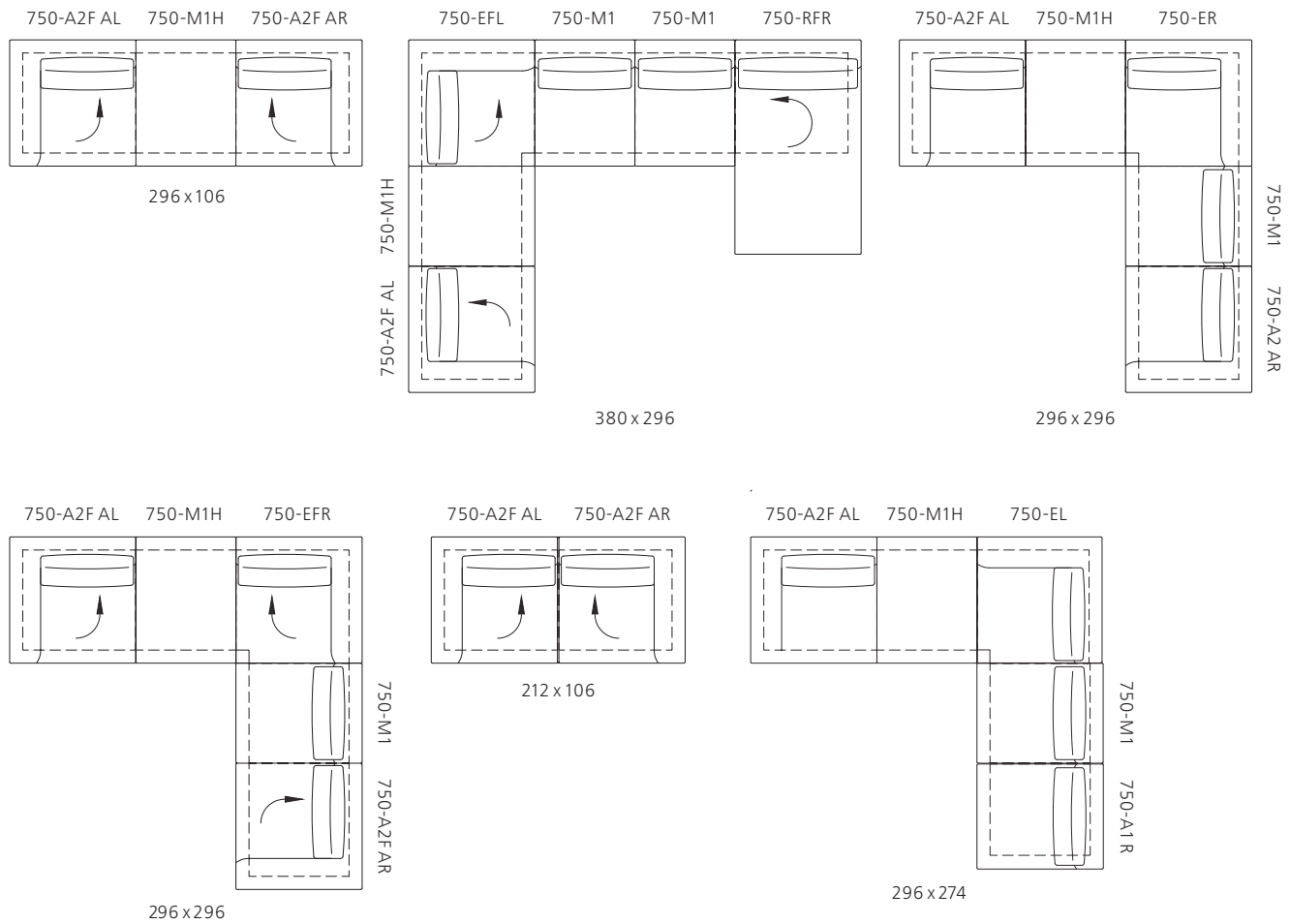
Abschlussrecamieren mit Armlehne *End récamières with armrest*



All dimensions in cm.

LIVING LANDSCAPE 750.

Beispielkonfigurationen
Configuration examples



All dimensions in cm.