

## Pongo



Pongo is a collection of single beds offering a number of different styling solutions to suit all settings. Thanks to the opening base, it can be fitted with drawers or a second bed. The fully removable upholstery is available in fabric or eco-leather; the pockets are finished with decorative bows. The feet available can be chosen from a broad range of options. The Pongo collection is also available in the storage version.

### COVER:

fabric

eco-leather

The pockets have a series of bows that can be made in the same fabric of the bed or in the following colours: ecru, red, yellow, blue.

### FEET:

- PONGO

silver painted metal

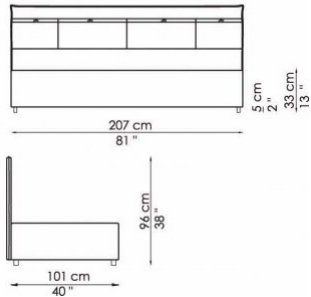
- PONGO WITH STORAGE (OPEN)

silver painted wood

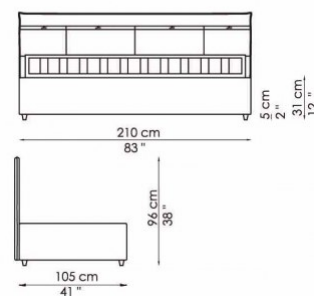
On request, optional castors

Bed bases available for this single bed:  
90x200 cm / 35x79"

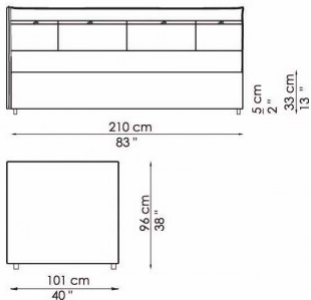
Pongo basic



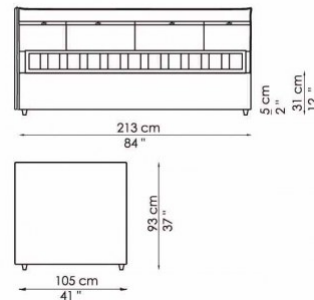
Pongo basic contenitore  
with storage



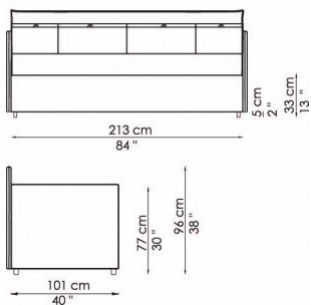
Pongo extra



Pongo extra contenitore  
with storage



Pongo super



Pongo super contenitore  
with storage

